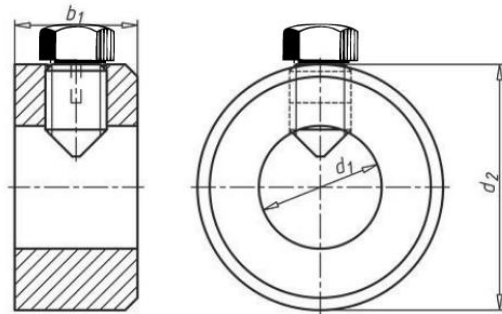


TABELLA TECNICA



cornino francese

- H1 base : $d1 = 10.3\text{mm}$ $d2 = 16\text{mm}$ $b1 = 8/9\text{mm}$
- H2 medium : $d1 = 10.3\text{mm}$ $d2 = 18\text{mm}$ $b1 = 8/9\text{mm}$
- H3 higt : $d1 = 10.3\text{mm}$ $d2 = 22\text{mm}$ $b1 = 8/9\text{mm}$

